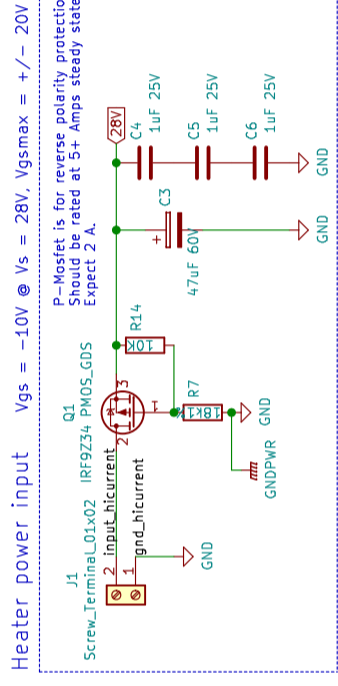
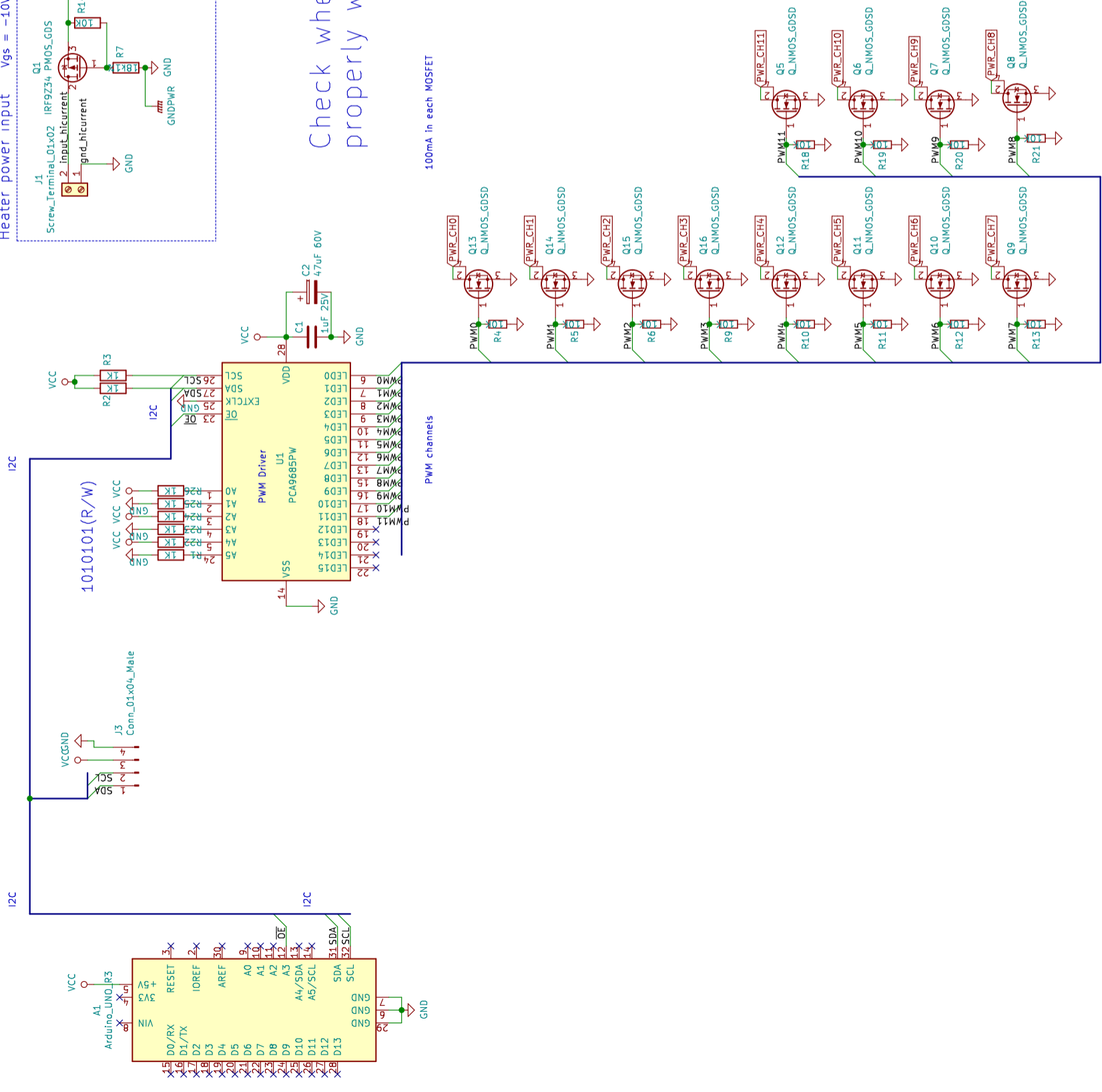
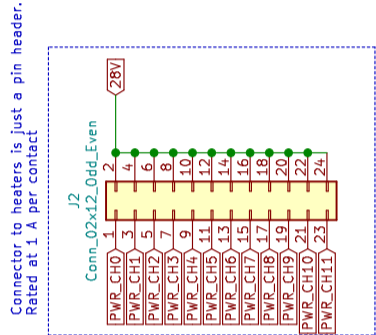


Max Input Voltage 50V



Check whether chip can source or sink properly without pulldown resistors

100mA in each MOSFET



Team Others
Jacob Killelea